

# Brava Platform Lounge Seating

## POWER MODULE INSTALLATION

### Metal Base

#### Parts included



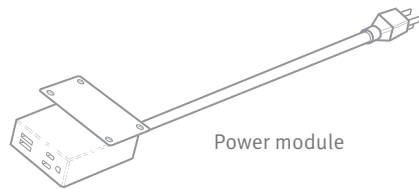
#8 x 3/4" pan head screw (6)



#10-24 x 3/8" RHMS screw (4)

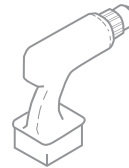


Cord P-clip (2)



Power module

#### Tools required



Power driver



#2 Phillips bit



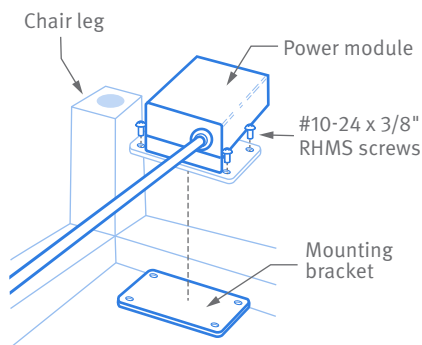
#2 Square bit

### How to install your power module

Power module can be installed on either left or right facing side of chair.

#### Step 1

1. Look for mounting bracket located underneath front edge of chair.
2. Secure with four #10-24 x 3/8" RHMS screws.



#### Step 2

1. Position cord P-clip around cord in desired location on or near edge of chair bottom.
2. Secure in place with one #8 x 3/4" pan head screw.
3. Repeat if needed to secure cord.

