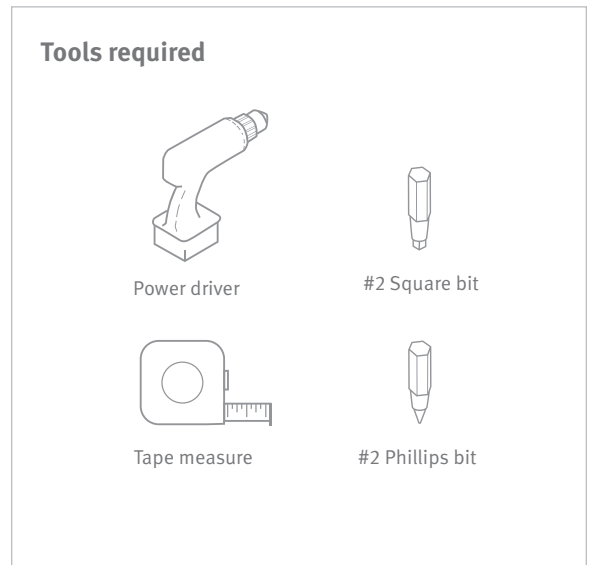
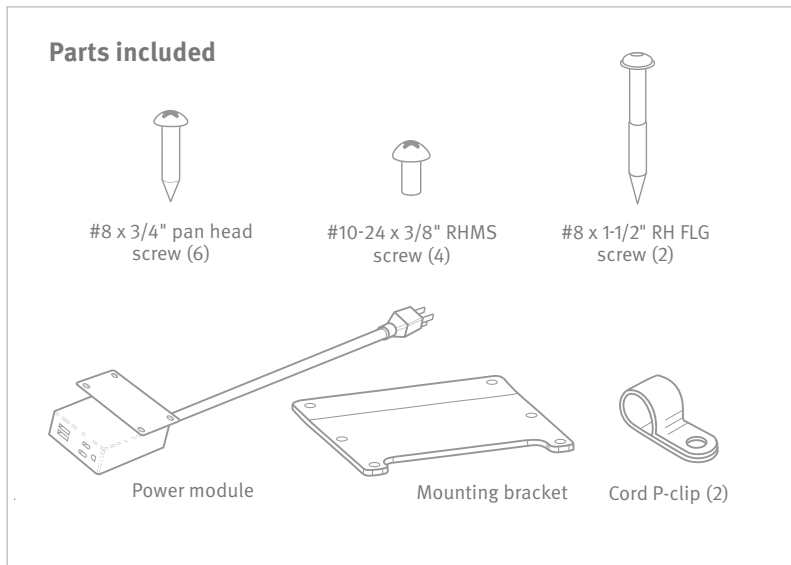


Brava Modern Lounge Seating

POWER MODULE INSTALLATION

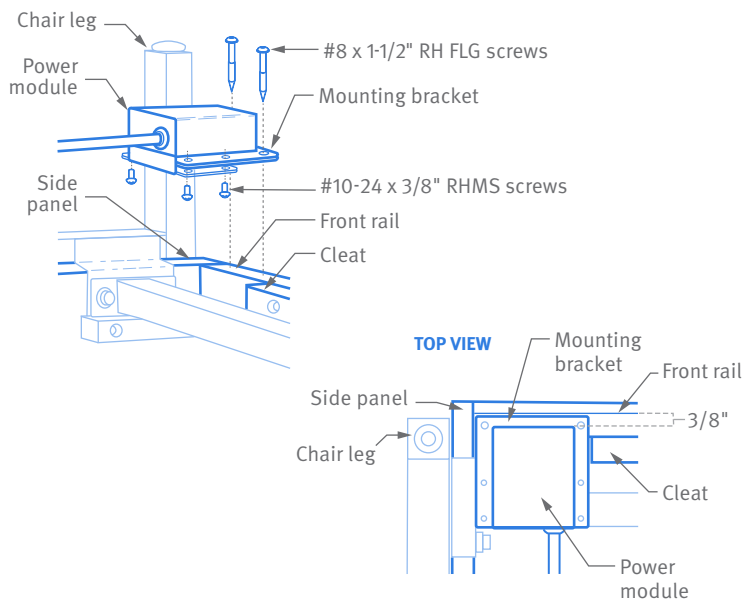


How to install your power module

Power module can be installed on either left or right facing side of chair.

Step 1

1. Mount power module to mounting bracket with four #10-24 x 3/8" RHMS screws.
2. Secure to front rail between side panel and cleat using two #8 x 1-1/2" RH FLG screws.



Step 2

1. Position cord P-clip around cord in desired location on or near edge of chair bottom.
2. Secure in place with one #8 x 3/4" pan head screw.
3. Repeat if needed to secure cord.

