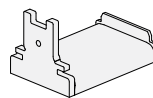


# Nemschoff Palisade 2.0

## Alignment Bracket Installation Instructions

### Parts Included



Alignment Brackets (x2)



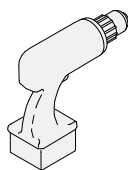
Bolts (x2)



Washers (x2)

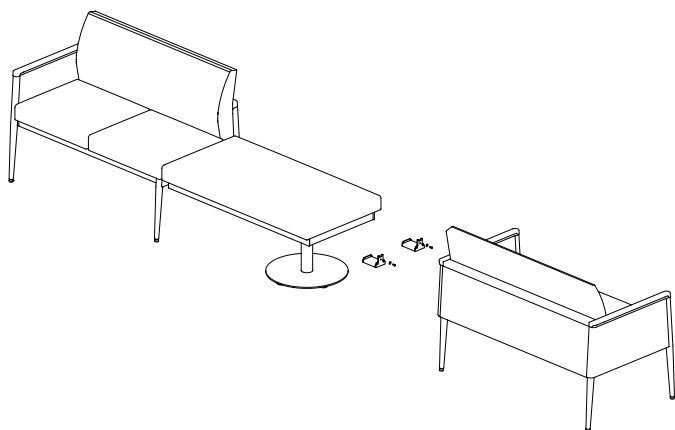
## How to assemble your alignment bracket.

### Tools Required



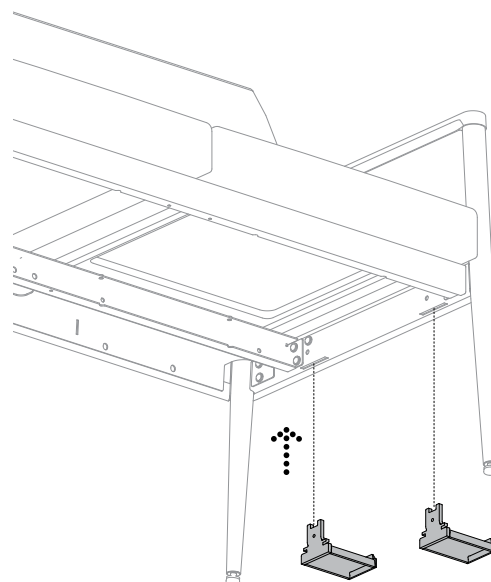
Power Drive

**867 Alignment Bracket (The Alignment Bracket is for alignment of furniture, not permanent ganging purposes. It allows disengagement for cleaning or rearranging of furniture)**



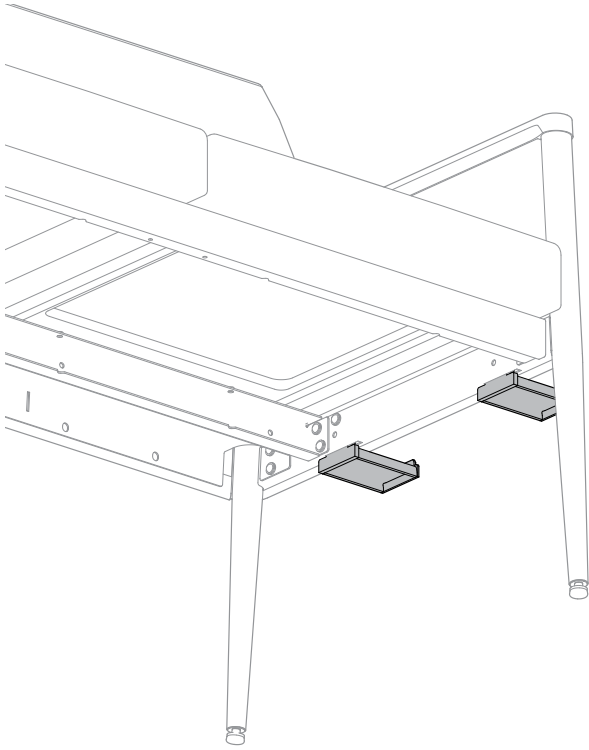
### Step 1

1.1 Slide the brackets of the alignment unit into slots in underside of the freestanding seating unit side rail.



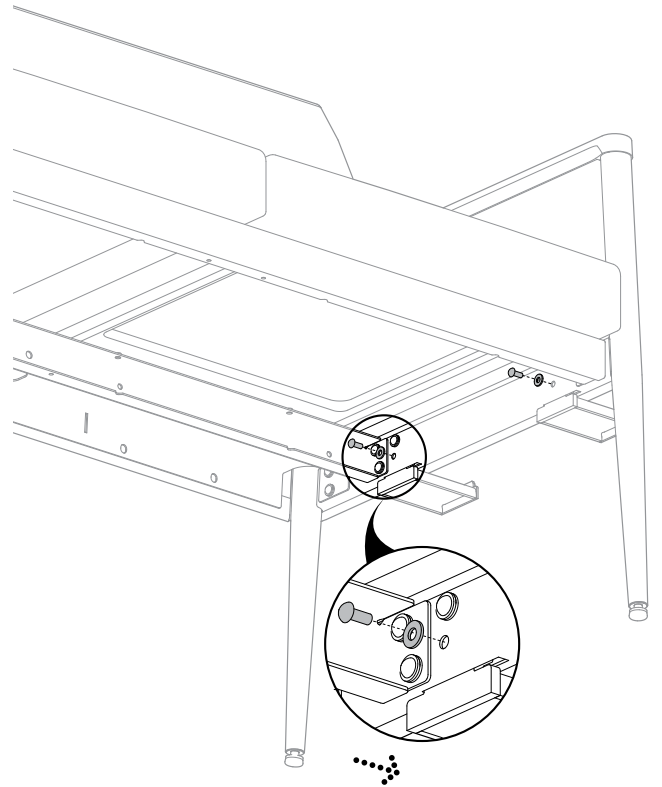
## Step 2

2.1 Slide the alignment brackets towards the back of the seating unit to lock the brackets into the slots.



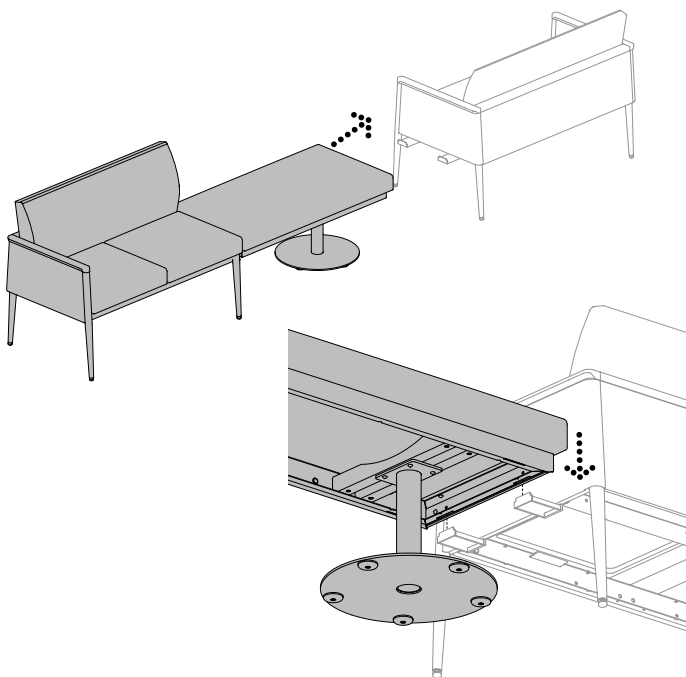
## Step 3

3.1 Insert one bolt through the side rail into each bracket.



## Step 4

4.1 Slide the freestanding unit with the alignment brackets close to the bench end. Slightly lift-up the bench end and align the slots in the bench with the tabs on the soft gang brackets



This is what it looks like when complete.

